

**300**  
Mbps  
data rate

**3x**  
Wireless coverage  
of 802.11g

**EWAN**

**N**  
Wireless



**BILLION**<sup>TM</sup>

Wireless speed up to 300Mbps and  
3X the coverage of standard 802.11g



**BiPAC 7300N**

## 802.11n ADSL2+/Broadband Router

**Experience the ultimate in wireless speed and coverage; share your networking anywhere with no more dead zones!**

The BiPAC 7300N is an all-in-one ADSL2+/Broadband Router with IEEE 802.11n technology. It is designed for home and SOHO users who seek extreme mobility, high-speed wireless connection and better wireless coverage while maintaining high-speed broadband access with ADSL2+ or through a configured Ethernet WAN. With an integrated IEEE 802.11n Wireless Access Point, the router enables faster wireless speeds of up to 300Mbps, the three built-in antennas effectively search for wireless signals and automatically adjust to the optimal connection after obstacles have been detected. Remarkably, one of the Ethernet LAN ports can be configured as a WAN interface for connecting to an external broadband modem. The BiPAC 7300N therefore enables an ADSL/Cable modem user to upgrade his or her device to IEEE 802.11n broadband router. The SOHO Firewall is integrated to provide protection against hacker attacks while the Quality of Service prioritizes queues and traffic for applications such as music downloads, online gaming, video streaming and file sharing.

### Optimal Wireless Speeds and Coverage

With an integrated IEEE 802.11n Wireless Access Point, the router delivers up to 6 times speeds and 3 times wireless coverage of an 802.11b/g network device. It supports up to 300Mbps data rate, is also compatible with 802.11b/g equipment. The Wi-Fi Protected Access (WPA-PSK/WPA2-PSK) and Wired Equivalent Privacy (WEP) features enhance the level of transmission security and access control over Wireless LAN. The router also supports the Wi-Fi Protected Setup (WPS) standard, allowing users to establish a secure wireless network by simply pushing a button.

### Express Internet Access

Integrated with ADSL2+ modem that complies with worldwide ADSL standards, the router supports downstream rates of up to 12/24 Mbps with ADSL2/2+, 8 Mbps with ADSL, and upstream rates of up to 1 Mbps. The users can enjoy not only high-speed ADSL2+ connection, but also running broadband applications such as interactive gaming, video streaming and real-time audio easier than ever. By doubling the upstream data rate, the Annex M standard included in the BiPAC 7300N model supports the latest ADSL2/2+ for higher upload speeds. Alternatively, by configuring one of Ethernet LAN ports as a WAN interface, an existing cable-modem (or pre-configured ADSL2+ modem from a service provider's binding term) user can connect his or her device with the BiPAC 7300N to enjoy high-speed broadband connections.

### Firewall Security and Smooth Traffic

With the built-in NAT default firewall, the advanced anti-hacker pattern-filtering protection features automatically detect and block Denial of Service (DoS) attacks. In addition, Packet Filtering provides high-level security for access control. Quality of Service Control prioritizes the traffic and allows users to enjoy smooth traffic while running applications such as P2P or multimedia through the Internet.

### Easy Network Management

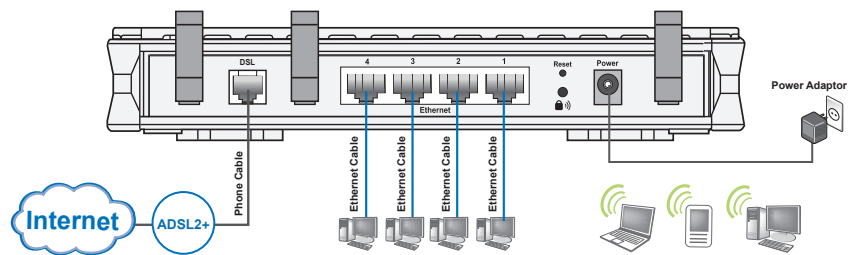
The Web-based User Interface of the BiPAC 7300N makes it extremely easy for users to install and manage the network. The router supports both DHCP client and server, enabling system administrators to easily integrate this router into existing network environments, as well as manage IP assignment without having to reconfigure other stations.

- High-speed broadband connection with ADSL2+ or through a configured Ethernet WAN
- Compliant with IEEE 802.11n standards
- Supports 802.11n Wireless Access Point with WPA-PSK/WPA2-PSK
- Delivers high-speed wireless connection up to 300Mbps data rate
- Expanded wireless coverage of up to 3 times the range of 802.11g products
- WPS (Wi-Fi Protected Setup) for easy setup
- Auto channel select
- Integrated 4-port Ethernet Switch, port one can be configured as a WAN interface
- SOHO Firewall Security with DoS Prevention and Packet Filtering
- Universal Plug and Play (UPnP) Compliant
- Supports VPN pass-through
- Easy Sign-On (EZSO) and Web-based Configuration
- Quality of Service Control
- Dynamic Domain Name System (DDNS)
- Easy Network Management
- Ideal for Home & SOHO Users

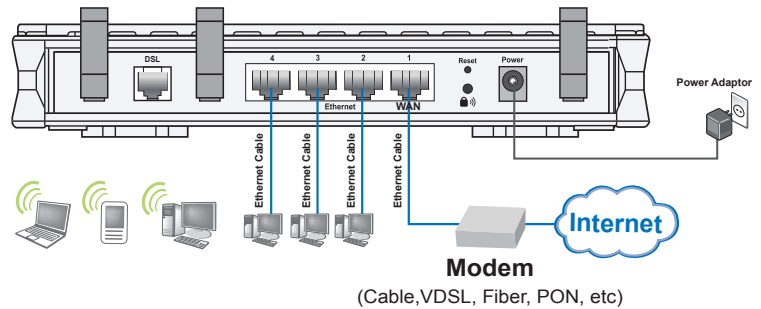
**Powering** communications  
with **Security**



### ADSL Router Mode



### Broadband Router Mode



## Features & Specifications

### ADSL Compliance

- Compliant with ADSL Standard
  - Full-rate ANSI T1.413 Issue 2
  - G.dmt (ITU G.992.1)
  - G.lite (ITU G.992.2)
  - G.hs (ITU G.994.1)
  - ADSL over ISDN/U-R2
- Compliant with ADSL2 Standard\*1
  - G.dmt.bis (ITU G.992.3)
  - ADSL2 Annex M (ITU G.992.3 Annex M) (BiPAC 7300NA only)
- Compliant with ADSL2+ Standard\*1
  - G.dmt.bis plus (ITU G.992.5)
  - ADSL2+ Annex M (ITU G.992.5 Annex M) (BiPAC 7300NA only)

### Network Protocols and Features

- NAT, static routing and RIP-1/2
- Universal Plug and Play (UPnP) Compliant
- Dynamic Domain Name System (DDNS)
- Transparent Bridging
- Virtual Server and DMZ
- SNTP, DNS relay and IGMP proxy
- IGMP snooping for video service firewall
- Management based-on IP protocol, port number and address
- SMTP client

### Quality of Service Control

- Supports the DiffServ approach
- Traffic prioritization and bandwidth management based-on IP protocol, port number and address

#### \* Notes:

1. The router may require firmware modification for certain ADSL2/2+/Annex M DSLAMs.
2. Actual throughput and performance depends on the environment. Normally, the wireless speed is faster if you are closer to the router. The farther from the router you are, the more wireless range, and slower speed, you get.
3. Specifications in this datasheet are subject to change without prior notice.

### Firewall & Virtual Private Network (VPN)

- Built-in NAT Firewall
- SMTP client
- Stateful Packet Inspection (SPI)
- Prevents DoS attacks including Land Attack, Ping of Death, etc.
- Remote access control for web base access
- Packet Filtering – port, source IP address, destination IP address, MAC address
- URL Content Filtering – string or domain name detection in URL string
- MAC filtering
- Password protection for system management
- VPN pass-through

### Wireless LAN

- Compliant with IEEE 802.11n, 802.11g and 802.11b standards
- 2.4 GHz–2.484 GHz frequency range
- Up to 300Mbps wireless operation rate
- WPS (Wi-Fi Protected Setup)
- 64/128 bits WEP supported for encryption
- Wireless Security with WPA-PSK/ WPA2-PSK support
- WDS repeater function support
- 802.1x radius supported

### ATM and PPP Protocols

- ATM Adaptation Layer Type 5 (AAL5)
- Multiple Protocol over AAL5 (RFC 2684, formerly RFC 1483)
- Bridged or routed Ethernet encapsulation
- VC and LLC based multiplexing
- PPP over Ethernet (PPPoE)
- PPP over ATM (RFC 2364)
- Classical IP over ATM (RFC 1577)
- MAC Encapsulated Routing (RFC 1483 MER)
- OAM F4/F5

### Management

- Easy sign-On (EZSO) and Auto-scan ADSL settings
- Web-based GUI for remote and local management
- Firmware upgrades and configuration data upload/download via web-based interface
- Embedded Telnet server for local management
- SNMP v1/v2/v3, MIB-I and MIB-II support
- Available Syslog
- Supports DHCP server/client/relay
- Mail Alert for WAN IP changed
- Wake on LAN

### Hardware Specifications Physical Interface

- WLAN: 3 detachable antennas
- DSL: ADSL port
- EWAN Ethernet port #1 can be configured to WAN port for connection to ADSL/Cable/VDSL/Fiber modem device
- Ethernet: 4-port 10/100M auto-crossover (MDI/MDI-X) switch
- Factory default reset button
- WPS button
- Power jack

### Physical Specifications

- Dimensions: 7.28" x 4.86" x 1.38" (185mm x 123.5mm x 35mm)

### Power Requirements

- Input: 12V DC, 1A

### Operating Environment

- Operating temperature: 0 - 40°C
- Storage temperature: -20 - 70°C
- Humidity: 20 - 95% non-condensing

### Models & Supported Standards

- BiPAC 7300NA: Supports Annex A and Annex M (Annex A and Annex M: ADSL over POTS)
- BiPAC 7300NU: Supports Annex B and U-R2 (Annex B and U-R2: ADSL over ISDN)