



BILLION™



▲ BiPAC 6404VGP R3 Front Panel



▲ BiPAC 6404VGP R3 Rear Panel

BiPAC 6404VGP R3

VoIP/ 802.11g Broadband Firewall Router with PSTN Fixed-line support

The BiPAC 6404VGP R3, a VoIP 802.11g Broadband Firewall Router integrated with VoIP functionalities, has been intelligently designed for SOHO and office users to enjoy economical VoIP calls concurrently with mobile, high-speed and and highly secure data communications. The Gateway feature called "Least Cost Routing" enables users to choose the most economical rate of VoIP calls provided by different Internet Telephony Service Providers (ITSP). This router integrates two FXS ports allowing you to make dual VoIP calls simply by connecting the device to your existing telephone set. The additional FXO port enables you to make calls through PSTN Fixed-lines while sharing a high-speed Internet connection. The Quality of Service (QoS) feature ensures a smooth net connection for inbound and outbound data with minimal traffic congestion.

Truly Cost Saving

Making VoIP calls with toll-quality is extremely easy; simply connect the router to your existing telephone sets. The BiPAC 6404VGP R3 complies with the most popularly adopted VoIP industry standards, SIP protocol, to ensure the interoperability with SIP devices and major VoIP Gateways. One RJ-11 FXO port is integrated to transmit inbound and outbound calls through PSTN Fixed-lines so that users may still be able to receive phone calls through PSTN while enjoying VoIP service at the same time. In addition, outgoing calls will be automatically redirected to PSTN when the Internet or VoIP service is not available. The router also supports a wider range of telephony features, such as call waiting, silence suppression, line echo cancellation, caller ID, etc.

Smooth and Responsive Net Connection

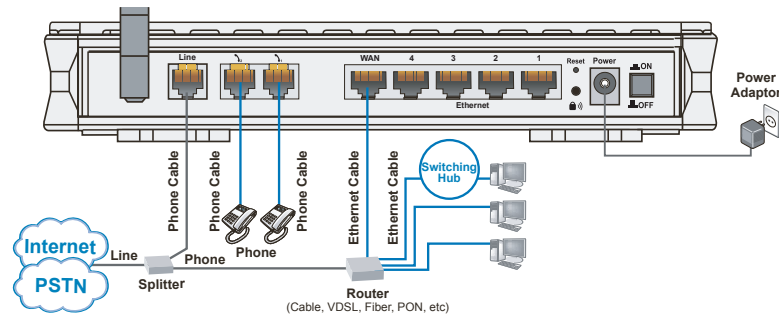
The Quality of Service (QoS) feature helps users to manage the bandwidth and prioritize data transfer effectively. It gives users full control over any type of data transfer, ensuring latency-sensitivity and allowing bandwidth-consuming applications such as VoIP calls, video conferencing, or customer information, can move through the router at maximum speed, even when under heavy tasking. The speed of inbound and outbound data passing through the router can be controlled to ensure that users do not saturate the bandwidth with their browsing activities.

Wireless Mobility

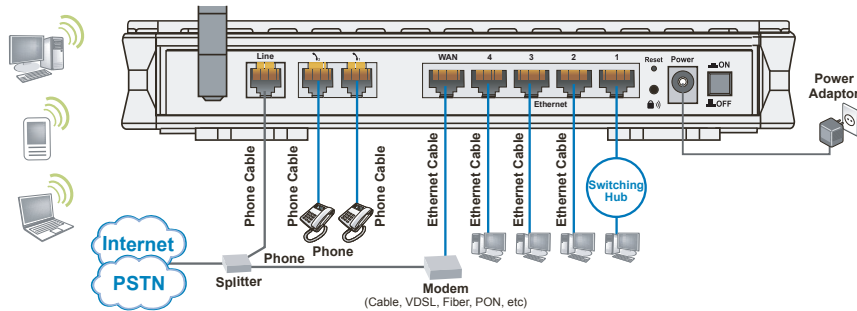
With an integrated 802.11g Wireless Access Point in the router, the BiPAC 6404VGP R3 provides users with quick yet easy wireless access to the networks. In addition to having a 54 Mbps 802.11g data rate, it is also backward compatible with existing 802.11b devices. The supported features of Wireless Protected Access (WPA-PSK/WPA2-PSK) and Wired Equivalent Privacy (WEP) enhance the security level of data protection and access control via Wireless LAN. If your network requires wider coverage, the built-in Wireless Distribution System (WDS) repeater function allows you to expand the wireless network without the need of any wires.

- Broadband sharing with fast Ethernet switch
- Make phone calls via Internet as well as PSTN Fixed-line
- Voice over IP compliant with SIP standard
- Two FXS ports for connecting to regular telephones
- One FXO port for voice calls via PSTN Fixed-line
- Gateway - Least Cost Routing support (for retail package only)
- 802.11g Wireless AP with WPS (Wi-Fi Protected Setup) , WPA-PSK/ WPA2-PSK Support
- SOHO Firewall Security with DoS Prevention and SPI
- Quality of Service for traffic prioritization and bandwidth management
- Ease of Use with Quick Installation Wizard
- Supports IPTV Application²

ATA Mode



Broadband Router Mode



Features & Specifications

Network Protocols and Features

- NAT, static routing and RIP-1/2
- Universal Plug and Play (UPnP) Compliant
- Dynamic Domain Name System (DDNS)
- Virtual Server and DMZ
- SNTP, DNS relay and IGMP proxy
- IGMP Snooping for video service

Firewall

- Built-in NAT Firewall
- Stateful Packet Inspection (SPI)
- Prevent DoS attacks including IP Spoofing, Land Attack, Smurf Attack, Ping of Death, TCP SYN Flooding, etc.
- Packet Filtering – port, source IP address, destination IP address, MAC address
- URL Content Filtering – string or domain name detection in URL string

VoIP

- Two RJ-11 FXS ports for connecting to regular telephones
- One RJ-11 FXO port for PSTN Fixed-line
- Compliant with SIP standard (RFC3261)
- Supports G.711 A/μ law, and G.729 Audio Codec standards
- Supports Telephony Features: call waiting, silence suppression, voice activity detection (VAD), comfort noise generation (CNG), G.168 line echo cancellation, caller ID (Bell 202, V23)
- Voice over data, QoS control to ensure higher voice quality
- Automatic fallback to PSTN Fixed-line when the Internet or VoIP service is not available.
- Gateway – Least Cost Routing support (for retail package only)

Quality of Service Control

- Supports the DiffServ approach
- Traffic prioritization and bandwidth management based-on IP protocol, port number and address

Wireless LAN

- Compliant with IEEE 802.11g and 802.11b standards
- 2.4 GHz – 2.484 GHz frequency range
- Up to 54 Mbps wireless operation rate
- WPS (Wi-Fi Protected Setup) for easy setup
- 64/128 bits WEP supported for encryption
- Wireless security with WPA-PSK/WPA2-PSK support
- WDS repeater function support

IPTV Application*2

- IGMP Snooping
- Virtual LAN (VLAN)
- Quality of Service (QoS)

Management

- Quick Installation Wizard
- Web-based GUI for remote and local management
- Firmware upgrade and configuration data upload and download via Web-based GUI
- Embedded Telnet server for remote and local management
- SNMP v3, MIB-I and MIB-II support
- DHCP server/client/relay support compatibility
- TR-069*1 supports remote management

Hardware Specifications

Physical Interfaces

- WLAN: detachable antenna
- Telephone: 1-port FXO (For PSTN Fixed-line support) 2-port FXS
- WAN: RJ-45 Ethernet port for connecting to ADSL/Cable device
- Ethernet: 4-port 10/100M auto-crossover (MDI/MDI-X) Switch
- Console: the Ethernet Port # 4 can be also connected to console
- Factory default reset button
- WPS push button
- Power jack
- Power switch

Physical Specification

- Dimensions: 9.04" x 6.10" x 1.46" (229.5mm x 155mm x 37mm)

Power Requirements

- Input: 12VDC, 1.2A

Operating Environment

- Operating temperature: 0 ~ 40°C
- Storage temperature: -20 ~ 70°C
- Humidity: 20 ~ 95% non-condensing

*Notes:

1. On request for Telco / ISP projects
2. IPTV application may require subscription to IPTV services from a Telco / ISP.

Copyright © Billion Electric Co., Ltd. All rights reserved.